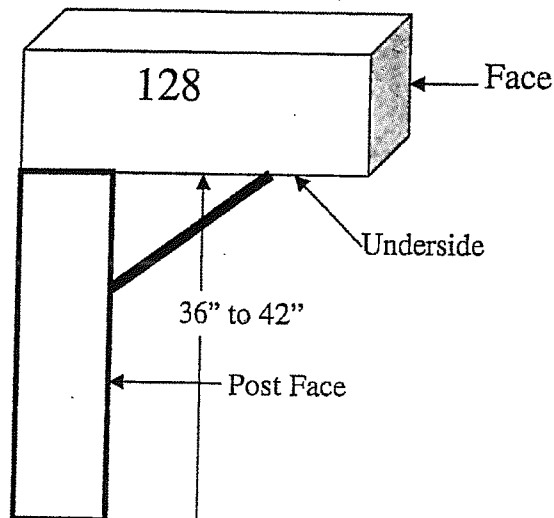


TOWN OF HAMPTON FALLS MAILBOX GUIDELINES

- **FACE OF MAILBOX:** NOT LESS THAN 48 INCHES FROM EDGE OF PAVEMENT
- **MAILBOX POST:** NOT LESS THAN 60 INCHES FROM EDGE OF PAVEMENT, MUST BE NEAT AND OF ADEQUATE STRENGTH AND SIZE
- **MAILBOX HEIGHT:** TO BE 36 TO 42 INCHES FROM DRIVING SURFACE LEVEL TO THE UNDERSIDE SURFACE OF THE MAILBOX
- **HOUSE NUMBER:** PAINTED OR STENCILED NO LESS THAN 1" HIGH – ON MAILBOX OR POST

IT IS HOMEOWNER'S RESPONSIBILITY TO KEEP THE MAILBOX APPROACH OPEN:

- KEEP DRIVING SURFACE PASSABLE AND LEVEL WITH THE STREET PAVEMENT. IT SHOULD BE GRAVEL, CINDERS OR STONE (IF NOT ASPHALT OR CONCRETE).
- KEEP DRIVING SURFACE CLEAR OF ICE AND SNOW.



Nov. 16, 04